

**10/100/1000BASE-T Magnetics Module**

- Meets IEEE 802.3af standard
- RoHS Compliant
- Single port configuration
- Low profile packages for PC card, Carbus and laptop applications
- Operating Temperature: 0°C ~ +70°C

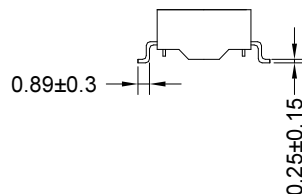
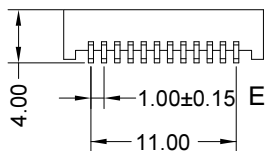
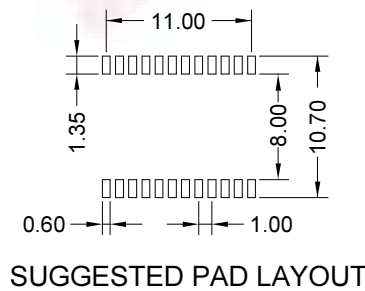
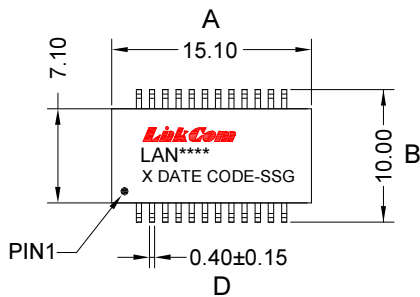
**Electrical Specification @25°C**

|                 |  |              |              |            |            |
|-----------------|--|--------------|--------------|------------|------------|
| Inductance:     | 350uH Min. @100KHz/0.1V with 8mA DC Bias |              |              |            |            |
| Hi-POT :        | 1500Vrms.                                |              |              |            |            |
| Turn Ratio:     | 1CT:1CT±3%                               |              |              |            |            |
| Insertion Loss: | 1-100MHz: -1.0dB Max.                    |              |              |            |            |
| Return Loss     | 1-30MHz                                  | 40 MHz       | 50MHz        | 60-80MHz   | 100MHz     |
|                 | -18dB Min.                               | -14.4dB Min. | -13.1dB Min. | -12dB Min. | -10dB Min. |
| D.C.M.R :       | 30MHz                                    |              | 60MHz        |            | 100MHz     |
|                 | -40dB Min.                               |              | -35dB Min.   |            | -30dB Min. |
| Cross Talk :    | 30MHz                                    |              | 60MHz        |            | 100MHz     |
|                 | -45dB Min.                               |              | -40dB Min.   |            | -35dB Min. |

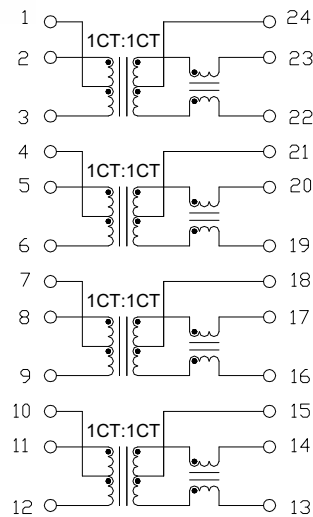
**Dimensions**

Units: mm

Unless otherwise specified, all tolerances are ±0.25



**Schematic**



**Mark**

1. LAN\*\*\*\*----LAN2241
2. X----PRODUCT LINE or BLANK
3. DATE CODE----YYWW
4. SS----- 70
5. G----RoHS

**Package info**

LAN2241-70R—Tape Reel