

**10/100/1000BASE-T Magnetics Module**

- Meets IEEE 802.3at standard for 1000BASE-T
- RoHS Compliant
- Single port configuration
- Suitable for End-span PoE af application with 600mA current capability
- Operating Temperature: -40°C ~+85°C

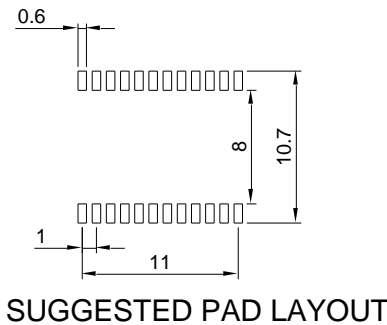
Electrical Specifications @25°C					
OCL:	350uH Min. @100KHz/0.1V with 8mA DC Bias				
Hi-POT :	1500Vrms				
Turn Ratio:	1CT:1CT±3%				
Insertion Loss:	1-100MHz @ -1.0dB Max.				
Return Loss:	1-30MHz	40MHz	50MHz	60-80MHz	100MHz
	-18dB Min	-14.4dB Min	-13.1dB Min	-12dB Min	-10dB Min
Cross Talk :	-30dB Min@1MHz-100MHz				
D.C.M.R.:	-30dB Min@1MHz-100MHz				

**Dimensions**

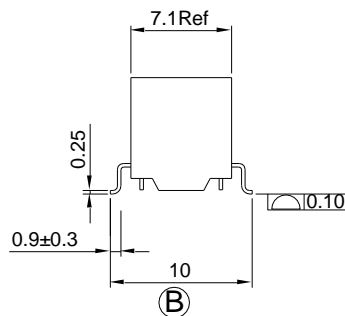
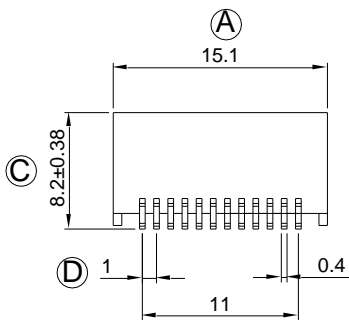
(Units: mm Unless otherwise specified, all tolerances are ±0.25)



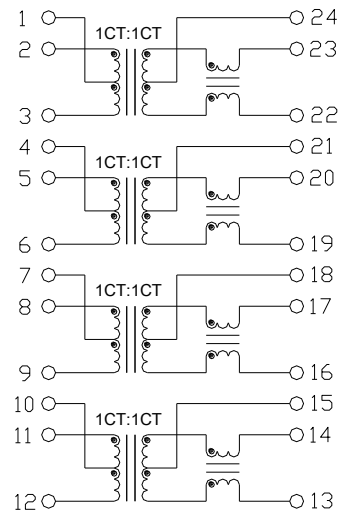
TOP VIEW



SUGGESTED PAD LAYOUT



**Schematic**



**Mark**

1. .LAN\*\*\*\*----LAN5242
2. X----PRODUCT LINE or BLANK
3. DATE CODE----YYWW
4. SS----80 or BLANK
5. #----G means RoHS

**Package info**

LAN5242-80R—Tape Reel