

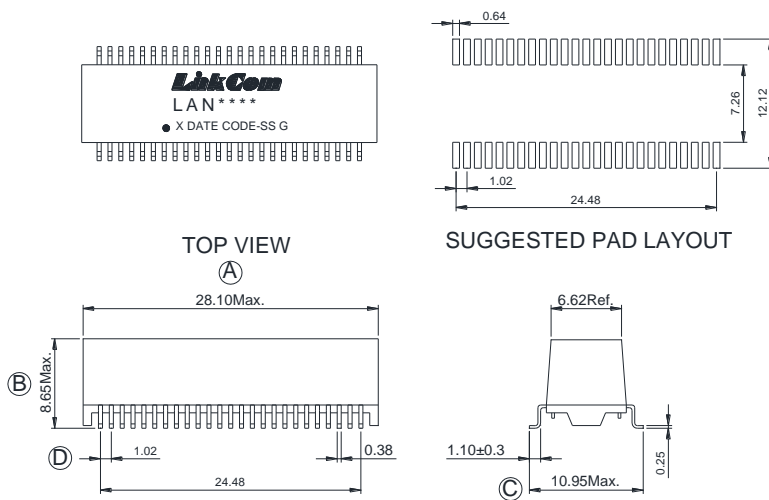
**10/100/1000BASE-T Magnetics Module**

- Meets 802.3ab standard
- RoHS Compliant
- Dual port configuration
- Operating Temperature: 0°C ~+70°C

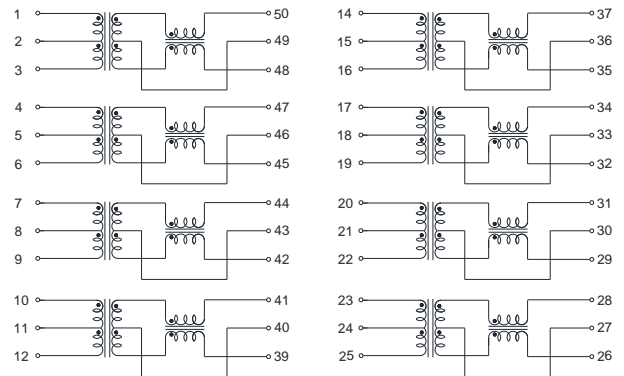
Electrical Specifications @25°C			
OCL:	350uH Min. @100KHz/0.1V with 8mA DC Bias		
Hi-POT :	1500Vrms		
Turn Ratio:	1CT:1CT±3%		
Insertion Loss:	-1.0dB Max. @1-100MHz		
Return Loss:	1-40 MHz	80MHz	100MHz
	-16dB Min.	-10dB Min.	-8dB Min.
D.C.M.R. :	-30dB Min@1MHz-100MHz		
Cross Talk :	-30dB Min@1MHz-100MHz		

**Dimensions**

(Units: mm Unless otherwise specified, all tolerances are ±0.25)



**Schematic**



**Mark**

1. LAN\*\*\*\*----LAN3502
2. X----PRODUCT LINE or BLANK
3. DATE CODE----YYWW
4. SS----70 or BLANK
4. G----RoHS

**Package info**

LAN3502-70R—Tape Reel