

**10/100/1000BASE-T Magnetics Module**

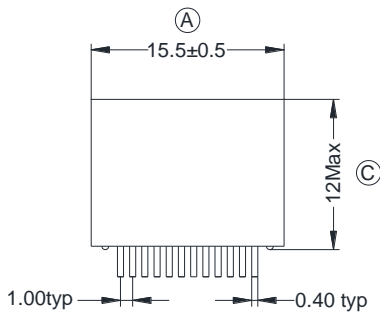
- Meets IEEE 802.3ab standard for 1000BASE-T
- RoHS Compliant
- Single port configuration
- Operating Temperature: 0°C ~+70°C

Electrical Specifications @25°C			
OCL:	350uH Min. @100KHz/0.1V with 8mA DC Bias		
Hi-POT :	1500Vrms.		
Turn Ratio:	1CT:1CT±3%		
Insertion Loss:	-1.1dB Max.@1-100MHz		
Return Loss:	1-30MHz	60-80MHz	100MHz
	-18dB Min.	-12dB Min.	-10dB Min.
Cross Talk :	30MHz	60MHz	100MHz
	-40dB Min.	-35dB Min.	-30dB Min.
D.C.M.R:	30MHz	60MHz	100MHz
	-40dB Min.	-35dB Min.	-30dB Min.

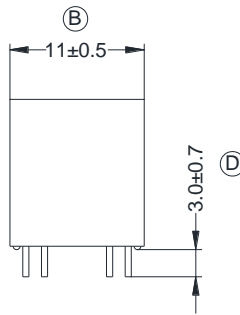
**Dimensions**

Units: mm

Unless otherwise specified, all tolerances are ±0.25



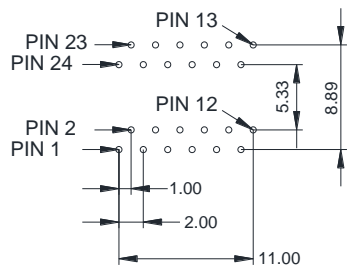
FRONT VIEW



SIDE VIEW

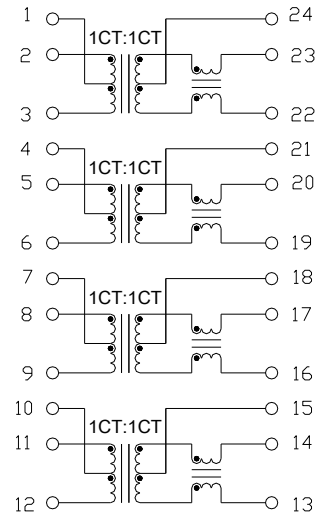


TOP VIEW



Terminal Dimensions  
Customer determine PCB pad dimensions.

**Schematic**



**Mark**

1. .LAN\*\*\*\*----LAN3241
2. X----PRODUCT LINE or BLANK
3. DATE CODE----YYWW
4. SS----52 or BLANK
5. #----G means RoHS

**Package info**

LAN3241-52T--IC TUBE