

10/100/1000BASE-T Magnetics Module

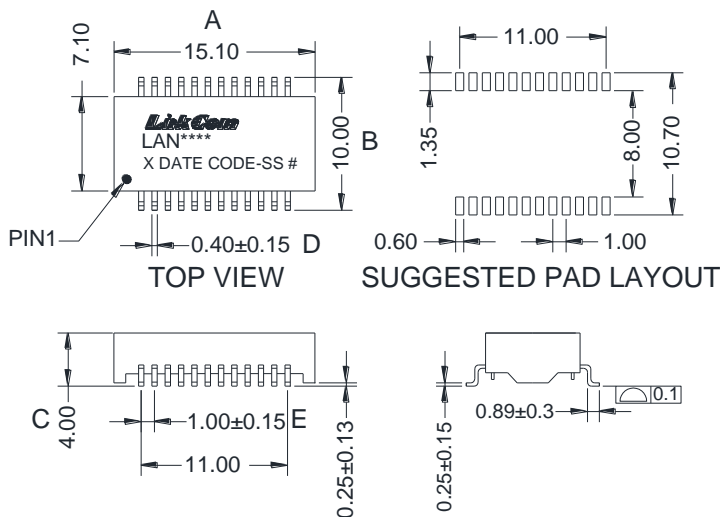
- Meets IEEE 802.3 standard for 1000BASE-T
- RoHS Compliant and Halogen Free Compliant
- Single port configuration
- Low profile packages for PC card, Carbus and laptop applications
- Operating Temperature: 0°C ~ +70°C

Electrical Specification @25°C

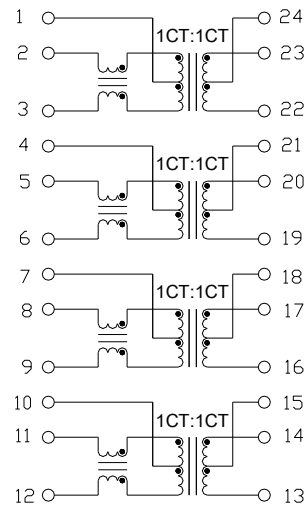
Inductance:	350uH Min. @100KHz/0.1V with 8mA DC Bias				
Hi-POT :	1500Vrms.				
Turn Ratio:	1CT:1CT±3%				
Insertion Loss:	1-100MHz: -1.0dB Max.				
Return Loss:	1-30MHz	40 MHz	50MHz	60-80MHz	100MHz
	-18dB Min.	-14.4dB Min.	-13.1dB Min.	-12dB Min.	-10dB Min.
D.C.M.R :	30MHz		60MHz		100MHz
	-40dB Min.		-35dB Min.		-30dB Min.
Cross Talk :	30MHz		60MHz		100MHz
	-45dB Min.		-40dB Min.		-35dB Min.

Dimensions

Units: mm ;Unless otherwise specified, all tolerances are ±0.25



Schematic



Mark

1. LAN****----LAN3209
2. X----PRODUCT LINE or BLANK
3. DATE CODE----YYWW
4. SS----- 52 or BLANK
5. #----G or H

Package info

LAN3209-52HR—Tape Reel