

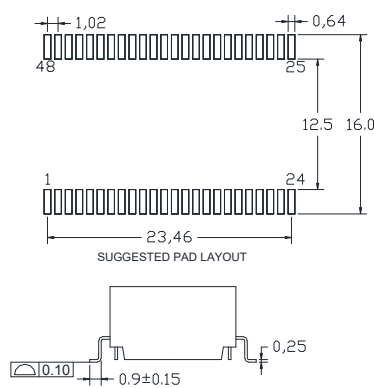
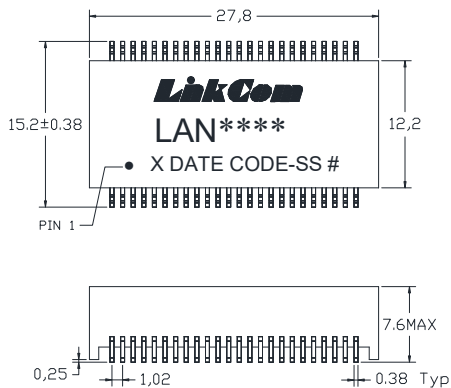
10/100/1000BASE-Tx Magnetics Module

- Meets IEEE 802.3ab standard
- RoHS Compliant
- Dual port configuration
- Operating Temperature: 0°C~+70°C

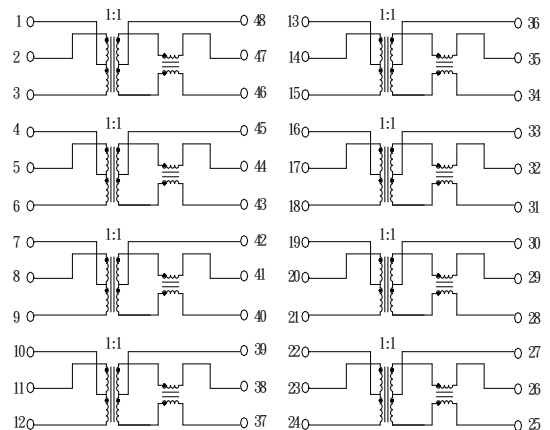
Electrical Specifications @25°C			
OCL:	350uH Min. @100KHz/0.1V with 8mA DC Bias		
Hi-POT :	1500V		
Turn Ratio:	1CT:1CT±3%		
Insertion Loss:	-1.0dB Max. @1-100MHz		
Return Loss:	1-40MHz	80MHz	100MHz
	-18dB Min.	-12dB Min.	-10dB Min.
D.C.M.R. :	30MHz	60MHz	100MHz
	-40dB Min.	-35dB Min..	-30dB Min.
Cross Talk :	30MHz	60MHz	100MHz
	-40dB Min.	-35dB Min.	-30dB Min.

Dimensions

(Units: mm, Unless otherwise specified, all tolerances are ±0.25)



Schematic



Mark

1. LAN****----LAN3007
2. X----PRODUCT LINE or BLANK
3. DATE CODE----YYWW
4. SS----80 or BLANK
4. G----RoHS

Package info

LAN3007-80R—Tape Reel