

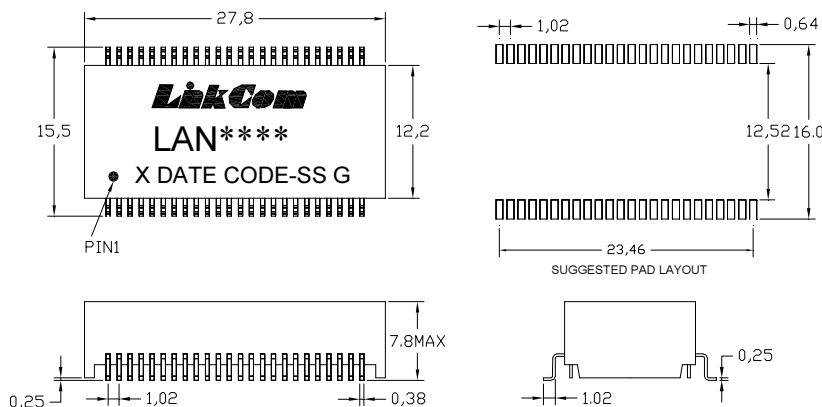
10/100/1000BASE-T Magnetics Module

- Meets 802.3af standard
- RoHS Compliant
- Dual port configuration
- Suitable for PoE application with 350mA current capability.
- Operating Temperature: 0°C~70°C

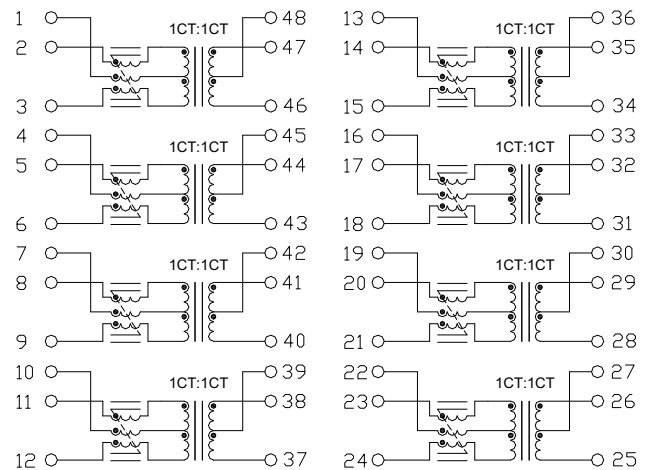
Electrical Specifications @25°C					
OCL:	350uH Min. @100KHz/0.1V with 8mA DC Bias				
Hi-POT :	1500V				
Turn Ratio:	1CT:1CT±3%				
Insertion Loss:	-1.0dB Max. @0.1-100MHz				
Return Loss:	1-30MHz	40 MHz	50MHz	60-80MHz	100MHz
	-18dB Min.	-14.4dB Min.	-13.1dB Min.	-12dB Min.	-10dB Min.
D.C.M.R. :	30MHz		60MHz		100MHz
	-40dB Min.		-35dB Min.		-30dB Min.
Cross Talk :	30MHz		60MHz		100MHz
	-40dB Min.		-35dB Min.		-30dB Min.

Dimensions

(Units: mm Unless otherwise specified, all tolerances are ±0.25)



Schematic



Mark

1. LAN****----LAN2482
2. X----PRODUCT LINE or BLANK
3. DATE CODE----YYWW
4. SS----53
4. G----RoHS

Package info

LAN2482-52R—Tape Reel