

Common Mode Filter

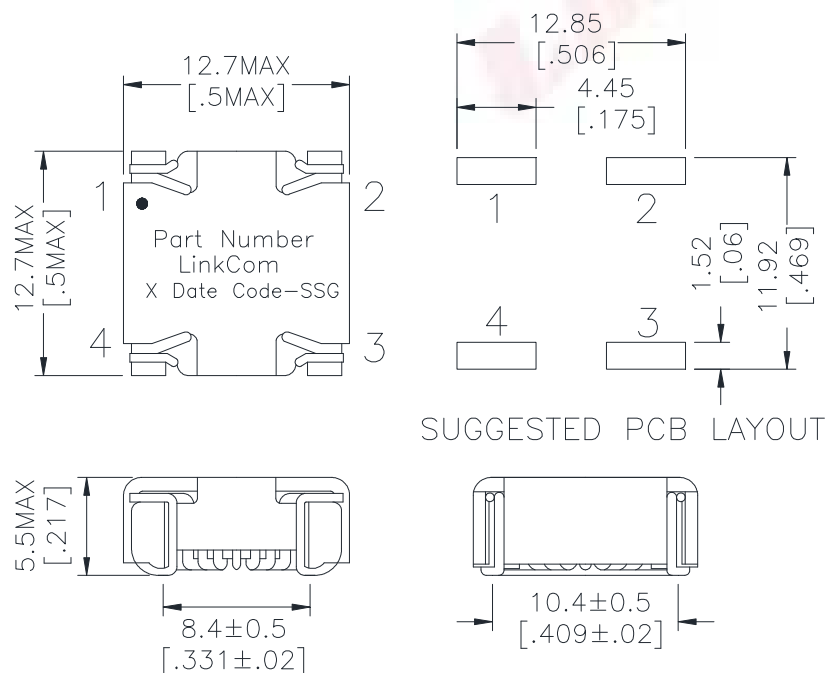
- RoHS Compliant
- Operating Temperature -40°C to +120°C
- Rated current (Idc):1.63A Max for ΔT=40 K

Electrical Specifications @25°C

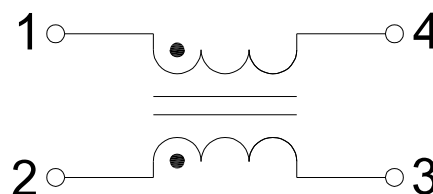
Inductance	PIN 1-2 = 4-3 = 0.88mH ±35% @ 10kHz/0.1V/Series
Leakage Inductance	PIN 1-2 = 6.5uH ±35% @ 100kHz/0.1V/Series (PIN3-4 shorted)
Turn Ratio	PIN 1-2 : PIN 4-3 = 1±2% :1
D.C.R.	PIN 1-2 = 110 mohm Max.
	PIN 4-3 = 110 mohm Max.
Hi-POT	PRI. – SEC. = 1000VAC/2Seconds/1mA

Dimensions

(Units: $\frac{\text{mm}}{\text{Inches}}$, Unless otherwise specified, all tolerances are $\pm\frac{0.25}{[.010]}$)



Schematic



Mark

- 1.Part Number----LTC0571
2. X----PRODUCT LINE OR BLANK
3. DATE CODE----YYWW
- 4.SS----50 OR BLANK
5. G----RoHS

Package info

LTC0571-50R - Tape and Reel