

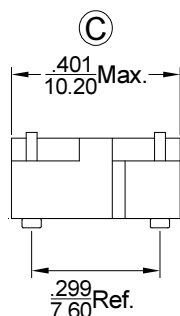
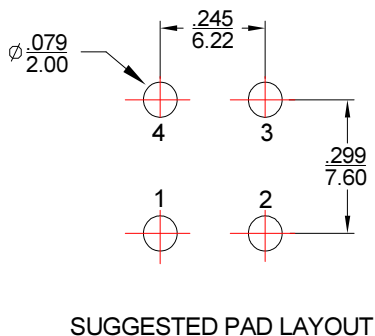
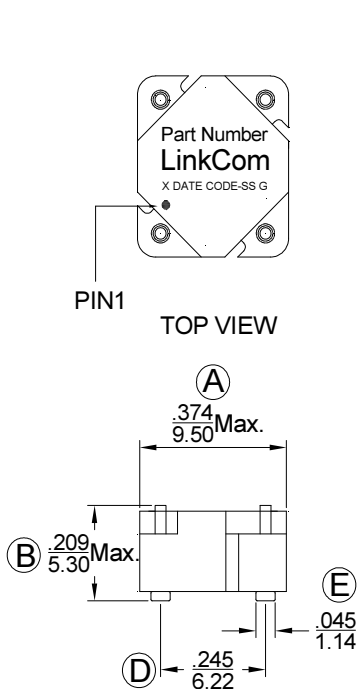
Common Mode Filter

- RoHS Compliant
- Operating Temperature -40°C to +85°C
- 800mA of rated current for $\Delta T=40\text{ }^{\circ}\text{C}$

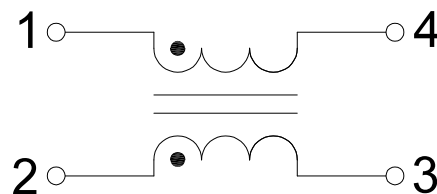
Electrical Specifications @25°C	
Inductance	PIN1-4 = PIN2-3 = 4.7mH +50%/-30% @ 100kHz/0.1V/Series
D.C.R.	PIN1-4 = 210 mohm Max.
	PIN2-3 = 210 mohm Max.
Turn Ratio	PIN1-4 : PIN2-3 = 1±3% :1
Hi-POT	500VAC/2Seconds/1mA

Dimensions

(Units: $\frac{\text{Inches}}{\text{mm}}$, Unless otherwise specified, all tolerances are $\pm\frac{.010}{0.25}$)



Schematic



Mark

1. Part Number----LTC0550
2. X----PRODUCT LINE OR BLANK
3. DATE CODE----YYWW
4. SS----50 OR BLANK
5. G----RoHS

Package info

LTC0550-50R – Tape reel

Impedance

