

**Common Mode Filter**

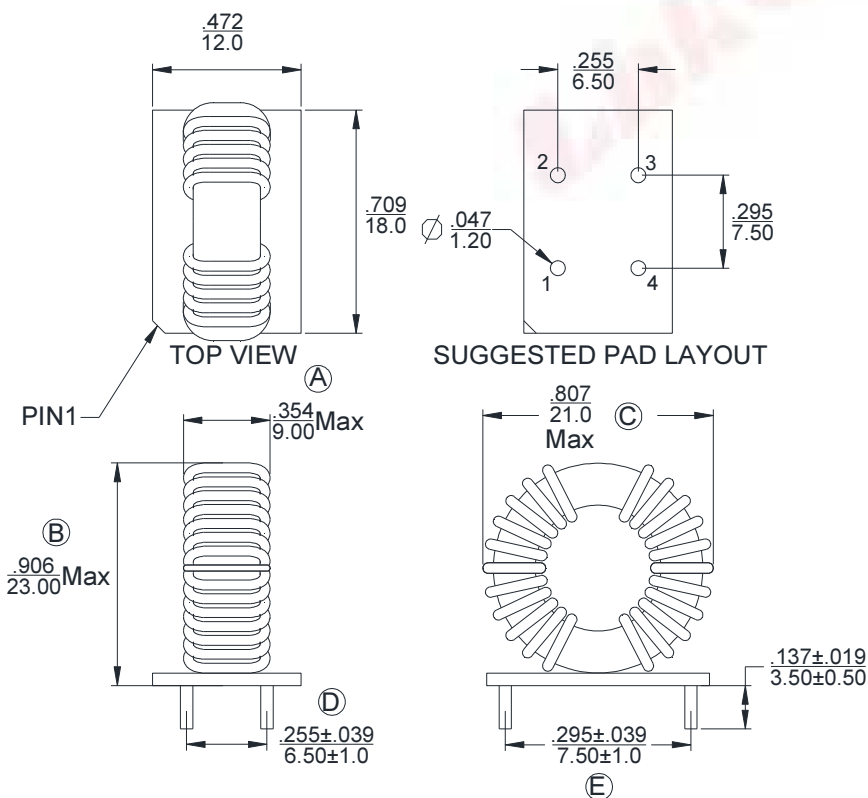
- RoHS Compliant
- Operating Temperature -40°C to +85°C
- 10A of Rated Current

**Electrical Specifications @25°C**

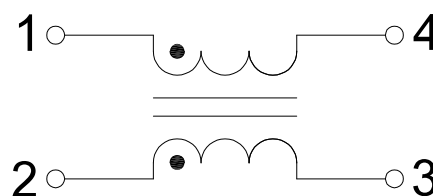
Inductance	PIN1-4 = PIN2-3 = 800uH±35%. @ 1kHz/0.25V/Series
Turn Ratio	PIN1-4 : PIN2-3 = 1±3% :1
D.C.R.	PIN1-4 = 15 mohm Max.
	PIN2-3 = 15 mohm Max.
Hi-POT	500VDC/2Seconds/1mA

**Dimensions**

(Units:  $\frac{\text{Inches}}{\text{mm}}$  , Unless otherwise specified, all tolerances are  $\pm\frac{.010}{0.25}$  )



**Schematic**



**Mark**

1. Part Number----LTC0539
2. X----PRODUCT LINE or BLANK
3. DATE CODE----YYWW
4. SS----50 OR BLANK
5. G----RoHS

**Package info**

LTC0539-50P - Tray