

Push-Pull Transformer

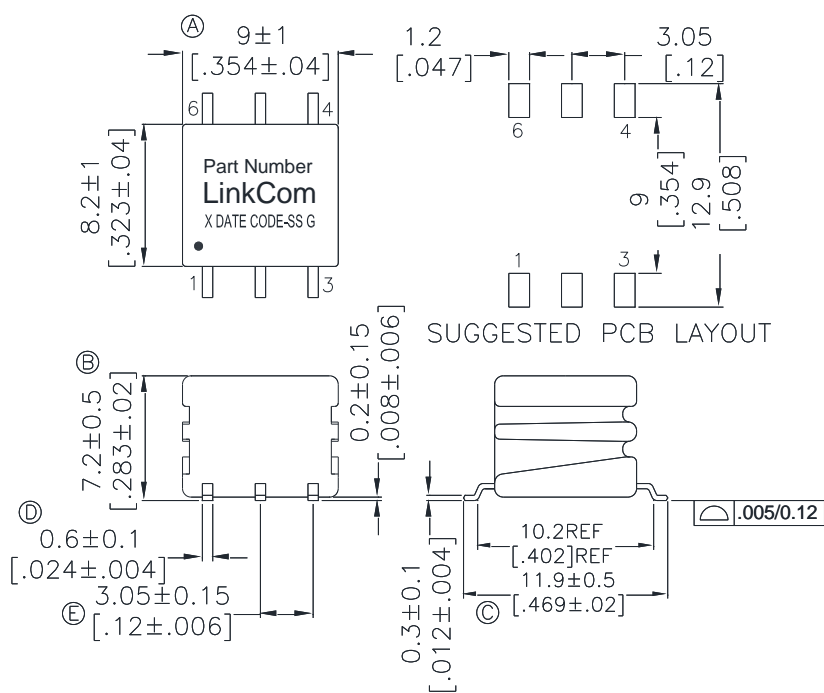
- RoHS Compliant
- Operating Temperature -40°C to +125°C including temp. rise.
- Rated AC current : 350mA

Electrical Specifications @25°C

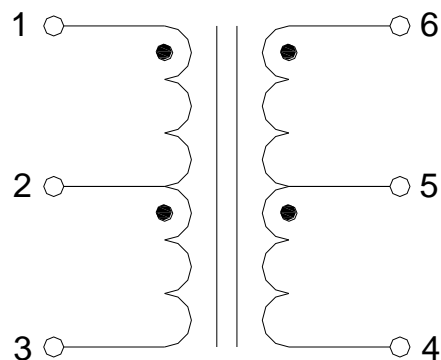
Inductance	PIN1-3 = 475uH Min. @10KHz/0.1V
D.C.R.	PIN1-3 = 0.375ohm Max.
	PIN6-4 = 0.550ohm Max.
Turn Ratio	PIN 6-4 : PIN 1-3 = 1.3 : 1 ±2%
Hi-POT	PRI. – SEC. = 4000VAC/60Hz/1Sec/1mA

Dimensions

(Units: $\frac{\text{mm}}{[\text{Inches}]}$, Unless otherwise specified, all tolerances are $\pm \frac{0.25}{[.010]}$)



Schematic



Mark

1. Part Number----LTC0639
2. X----PRODUCT LINE or BLANK
3. DATE CODE----YYWW
4. SS----50 OR BLANK
5. G----RoHS

Package info

LTC0639-50R - Tape reel