

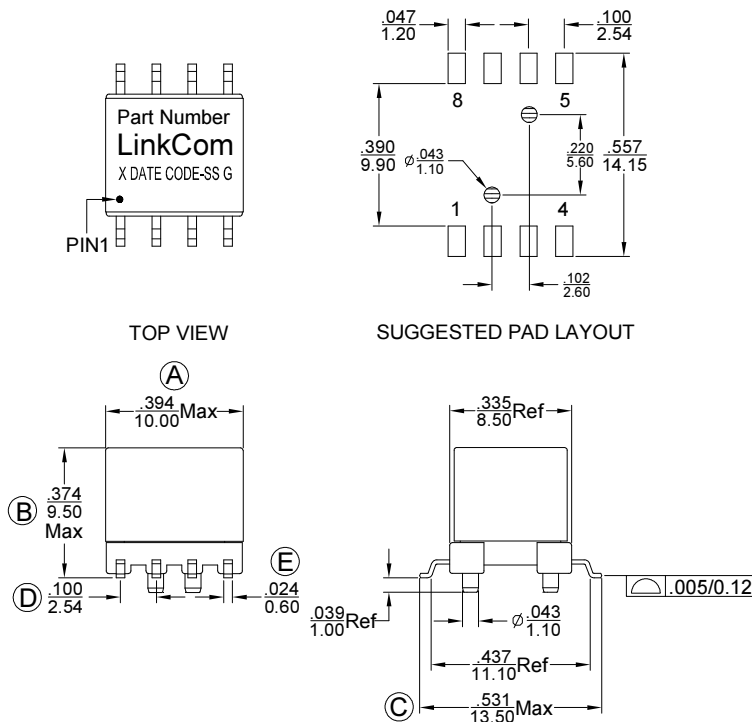
DC/DC Transformer

- RoHS Compliant
- Operating Temperature -40°C to +85°C

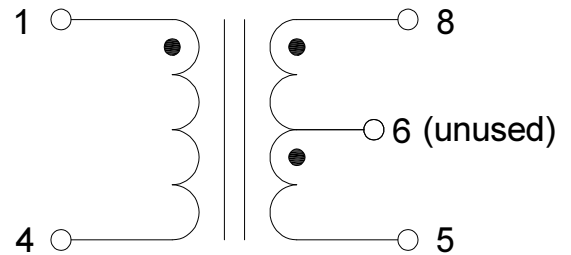
Electrical Specifications @25°C	
Inductance:	PIN 1-4 = 8uH±5%. @ 10KHz/0.1V/Series
Leakage inductance	PIN1-4=100nH Max.@ 100KHz/0.1V (PIN 8,5 shorted)
D.C.R.	PIN 1-4 = 100 mohm Max.
	PIN 8-5 = 300 mohm Max.
Turn Ratio:	PIN 8-5 : PIN 1-4 = 3.00±3% : 1
Hi-POT :	PRI. – SEC. = 625 VAC/1Second/0.5mA

Dimensions

(Units: $\frac{\text{Inches}}{\text{mm}}$, Unless otherwise specified, all tolerances are $\pm\frac{.010}{0.25}$)



Schematic



Mark

1. Part Number----LDT0876
2. X----PRODUCT LINE or BLANK
3. DATE CODE----YYWW
4. SS----52 or BLANK
5. G----RoHS

Package info

LDT0876-52R - Tape reel