

### Current Sense Transformers

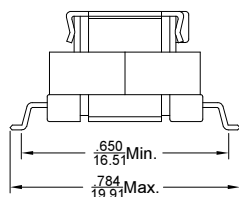
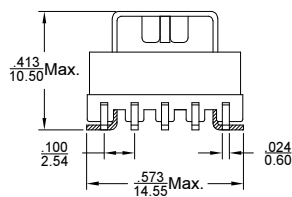
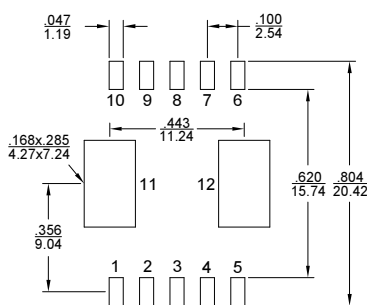
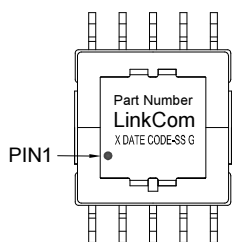
- RoHS Compliant
- Operating Temperature -40°C to +125°C
- 500Vrms isolation between windings
- Frequency up to 1MHz
- Up to 40A of rated current on primary

#### Electrical Specifications @25°C

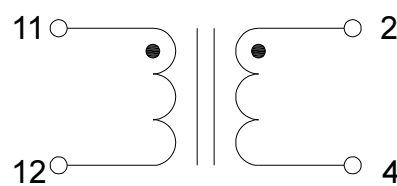
Part Number	Turns Ratio Pri. : Sec.	Secondary Inductance Min.(mH)	DCR		Volt-time product on Sec. Max.(V-μsec)	Terminating Resistance (1VSec./40APri.) (Ω)
			Pri. Ref.(mΩ)	Sec. Max.(Ω)		
LCS0027-50	1:20	0.34	1	0.180	50.8	0.5
LCS0028-50	1:30	0.76	1	0.265	76.2	0.8
LCS0029-50	1:40	1.36	1	0.560	101.6	1.0
LCS0030-50	1:50	2.12	1	0.705	127.0	1.3
LCS0031-50	1:60	3.06	1	0.850	152.4	1.5
LCS0032-50	1:70	4.16	1	1.00	177.8	1.8
LCS0033-50	1:80	5.44	1	1.15	203.2	2.0
LCS0035-50	1:100	8.50	1	1.45	254.0	2.5
LCS0036-50	1:125	13.3	1	1.85	317.5	3.1
LCS0037-50	1:150	19.2	1	2.25	381.0	3.8
LCS0038-50	1:200	34.0	1	4.06	508.0	5.0

### Dimensions

(Units:  $\frac{\text{Inches}}{\text{mm}}$ , Unless otherwise specified, all tolerances are  $\pm\frac{.010}{0.25}$ )



### Schematic



### Mark

1. Part Number----LCSxxxx
2. X----PRODUCT LINE OR BLANK
3. DATE CODE----YYWW
4. SS----50 OR BLANK
5. G----RoHS

### Package info

LCSxxxx-50R - Tape reel