



**FEATURES:**

- 1-Channel Output for Brightness or Dim-to-Warm Control
- 2-Channel Output for Tunable White Color Temperature Control
- Built-in Dim-to-Off Function With Relay
- Wireless Dimming Range 1-100% Via INCORE2 APP
- Real Time Energy Metering: Voltage, Current, Power Consumption, Power Factor, Frequency, Temperature, CO<sub>2</sub> by INCORE2 APP Reading
- Integarted BLE Mesh Module Control
- Voltage Metering Range: 1-500V (AC or DC Voltage)
- Current Metering Range: 10mA-16A
- Certificate: NCC, FCC

**INCORE APP Download**



App Store for iOS



Play Store for Android

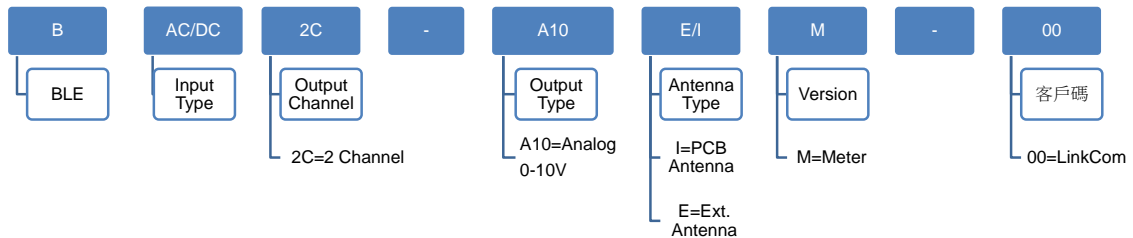
**BLE MESH FEATURES:**

- Auto Pairing
- Transmission Range: 30m Between Device and Device
- RF Communication Type: 2.4 GHz
- High Speed Communication: <100ms
- Dimming, CCT Tuning, Scheduling, Group Control

**PRODUCT SPECIFICATION**

MODEL	Supply Voltage	Dimming Type	Dimming Channel	Antenna	Dimension (L*W*H)
BAC1C-A10EM-00	90-264Vac	0-10V	1	External	114*43*29 mm
BAC2C-A10EM-00	90-264Vac	0-10V	2	External	114*43*29 mm

**Model Number Code**



**Measurement Parameters (Input)**

Voltage Range	90-264Vac
Current Range	10mA-16A ±0.5%F.S
Frequency	47-63Hz
Temperature	Chip Temperature
Power Factor	Measurable
Minimum Energy Variable	0.001kWh
CO <sub>2</sub>	National Standard Formula Calculation

**Output Specifications**

Output Control Interface	0-10V Dimming
--------------------------	---------------

**Communication Function**

Interface Type	Uart Port TTL Level
Communication Protocol	DL/T 645-2007 And MODBUS-RTU Dual Protocol
Data Form	Default "n,8,1" (No Parity, 8 Data Bits, 1 Stop Bit)
Baud Rate	2400bps-19200bps, Default 4800bps
Data Refresh Interval	≥250ms

**Performance**

Typical Power Consumption	≤10mA
Power Supply	Isolated DC (3.3-5.0V) Power Supply
Withstand Voltage Rating	AC3000Vrms
Overload Capacity	120%

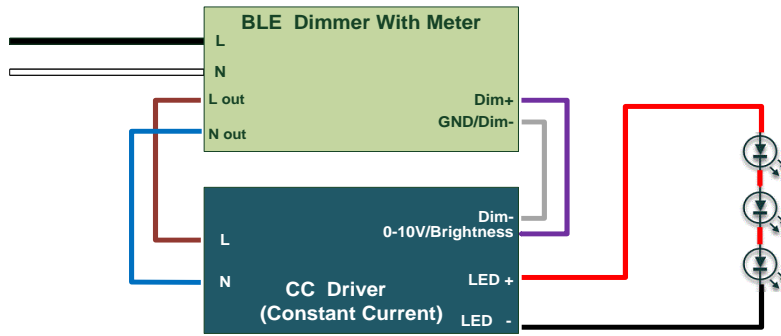
**Environment**

Operation Temperature	0~+40℃
Relative Humidity	5~95%, No Condensation (Under 40℃)
Altitude	0-3000 Meter
Operation Environment	No Explosion, Corrosive Gas and Conductive Dust, No Significant Vibration and Shock Places

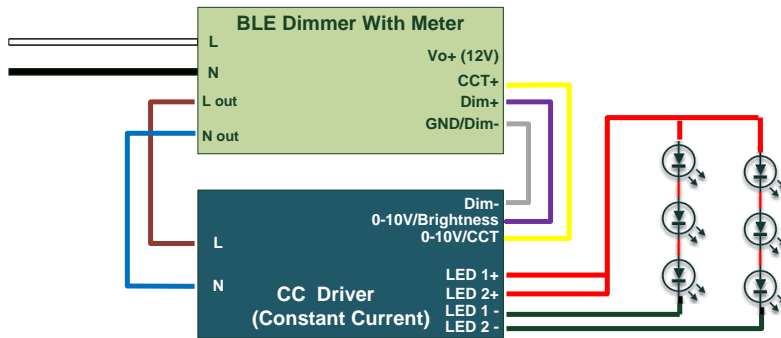
**EMC Compliance and Safety**

FCC ID	2AOC5LCBTMDXX
NCC	CCA20LP4720T9

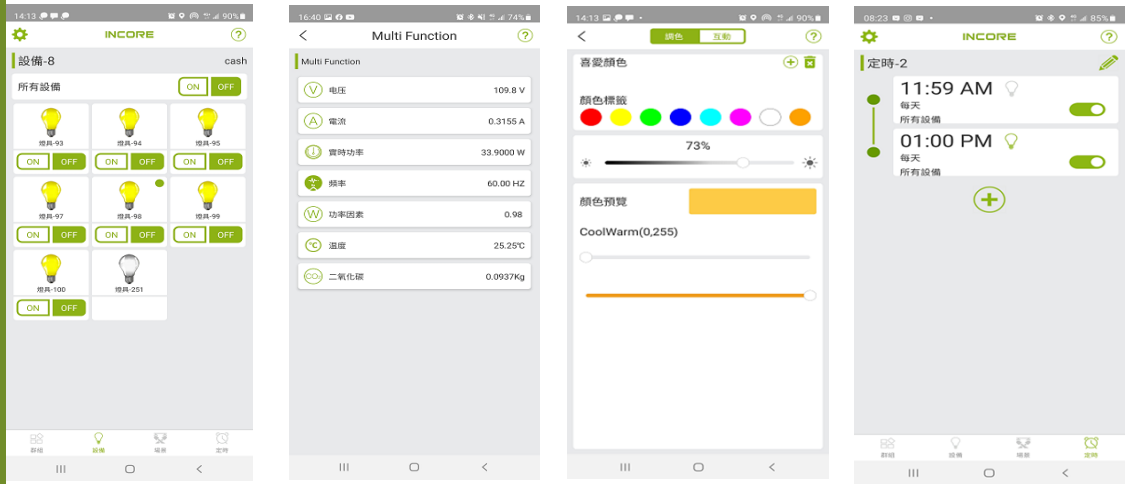
**AC BLE Dimmer With Power Meter (BAC1C-A10EM-00)**



**AC BLE Dimmer With Power Meter (BAC2C-A10EM-00)**



**APP APPLICATION**



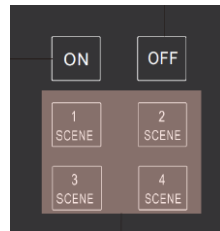
**Accessories**

Description	P/N	Power supply
Remote Control	IRCB_2CW_U18SA0-00G	Battery AAA*2
Touch Panel	IBRS-T6A-00G	Battery CR2032*2
BLE PIR Sensor	IBAC0C-PIRE0	L/N AC Input 85-305Vac

Remote Control Shape



Portable Touch Panel



BLE PIR Sensor

